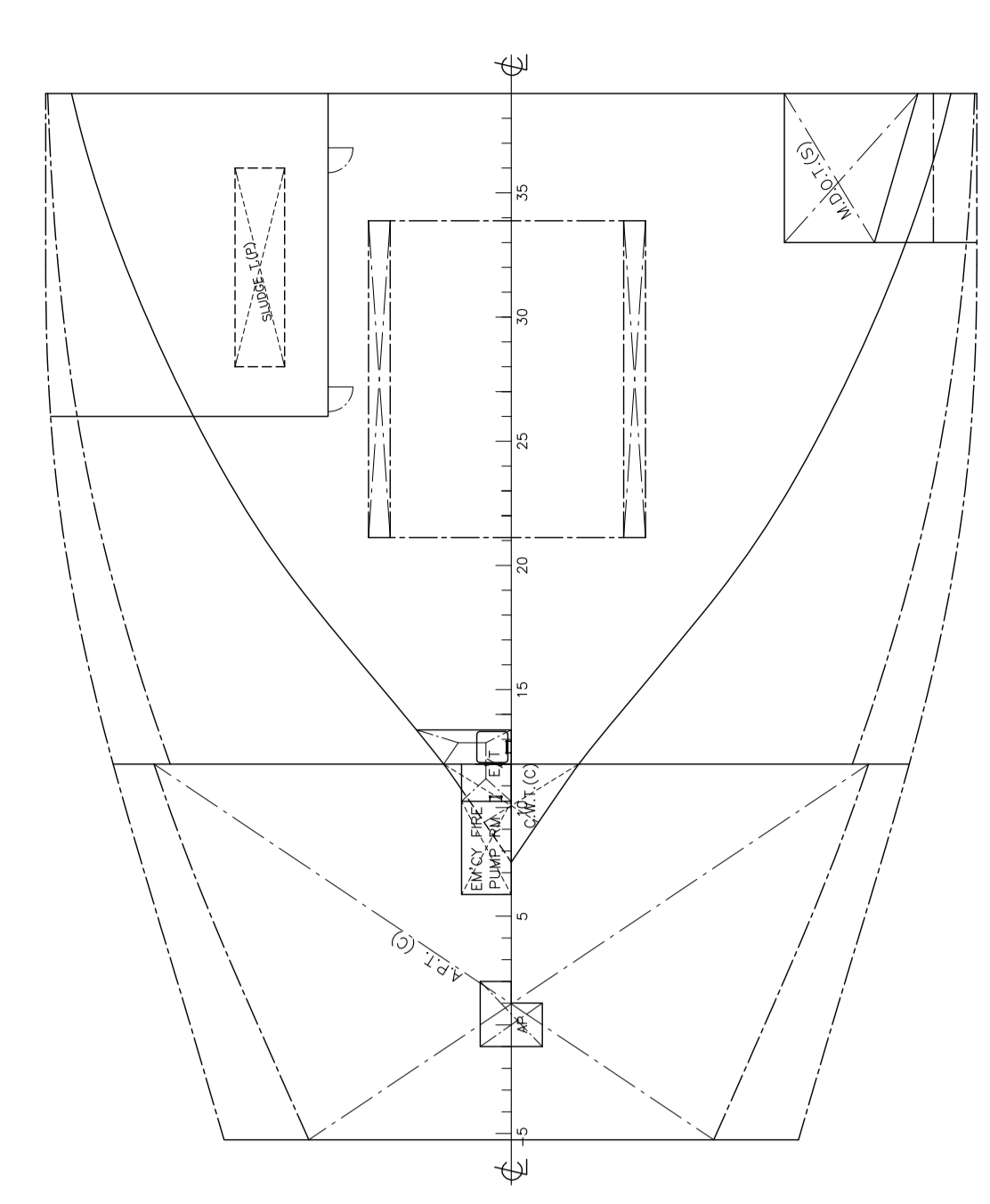
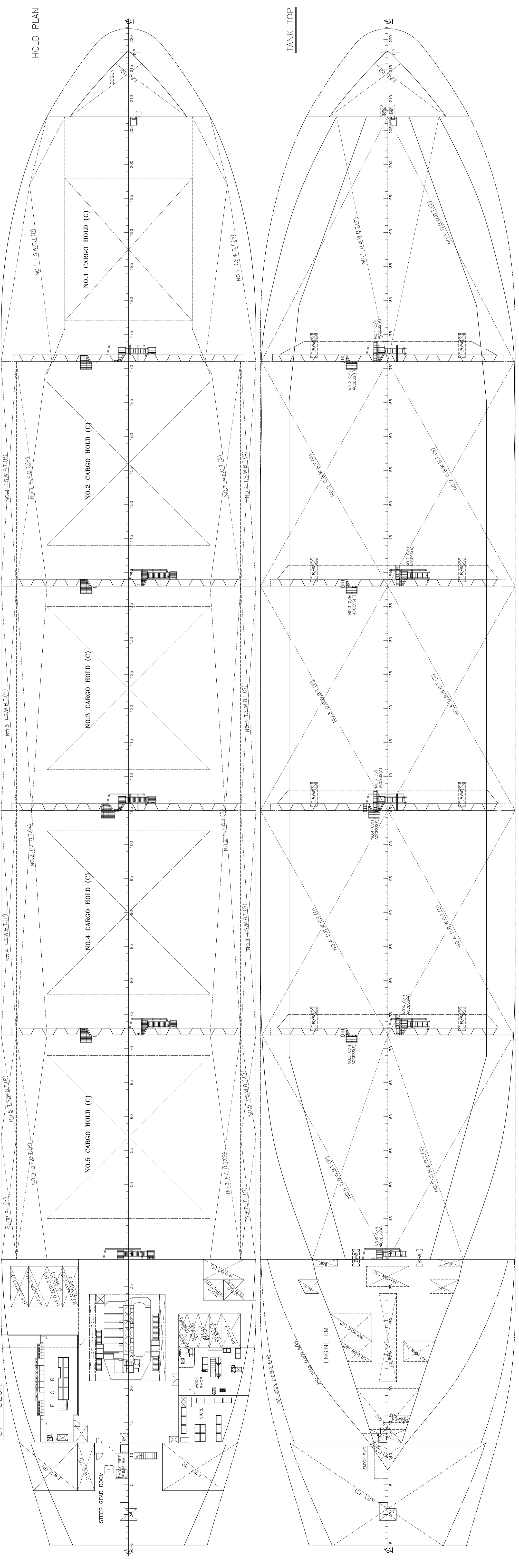
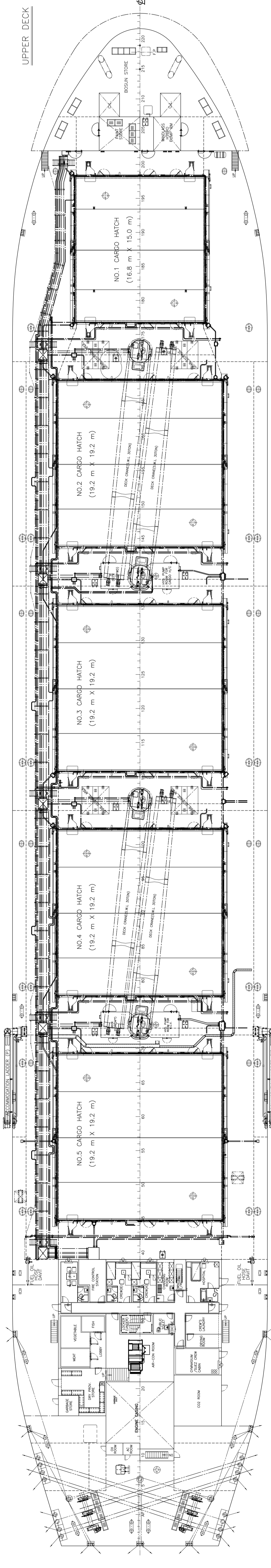
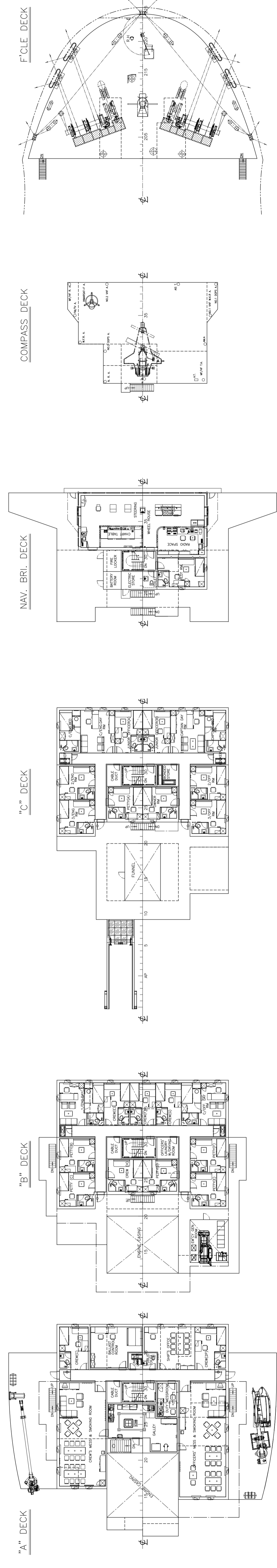
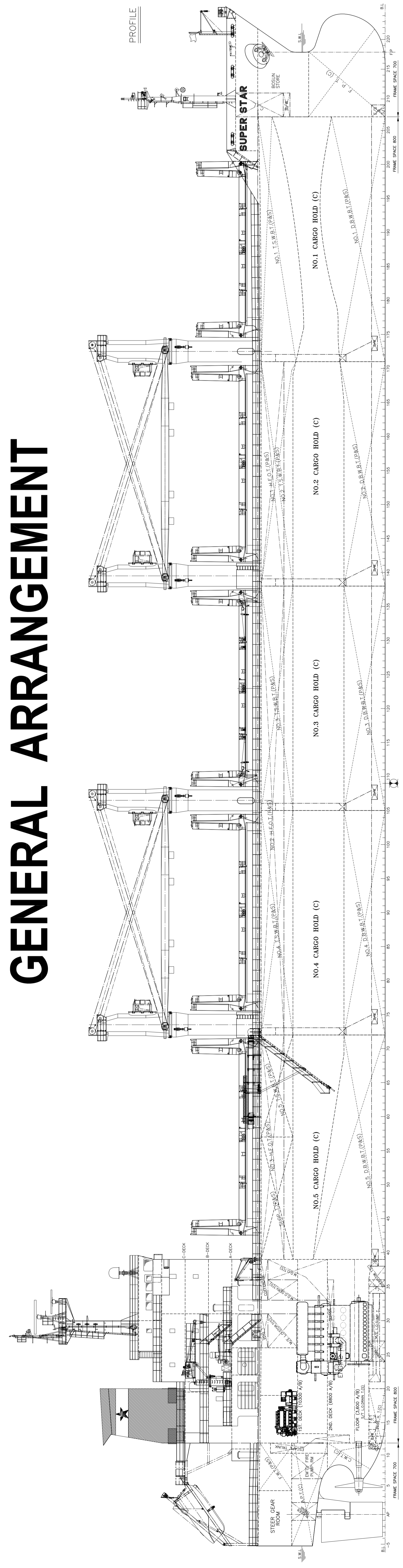
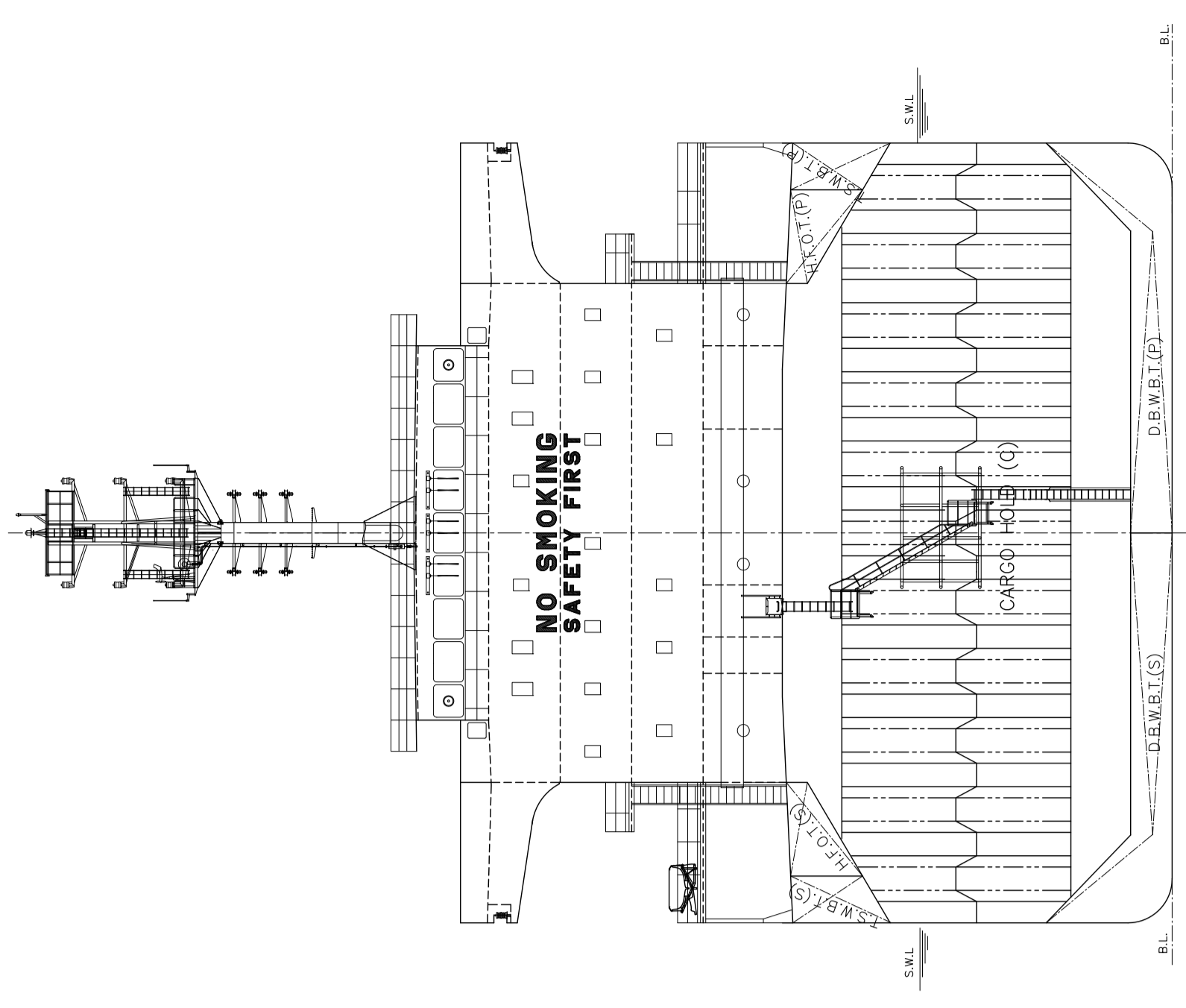


GENERAL ARRANGEMENT

BIBLIOGRAPHY

DATE	REV.	DESCRIPTION
2008.09.30.	A	1. FINAL DRAWING.



PRINCIPAL PARTICULARS

LENGTH	181.00 M
BREADTH	27.00 M
DRAUGHT	14.60 M
DEPTH	14.60 M
DISPL.	9,400 M
NET TONNAGE	9,400 M
GROSS TONNAGE	14,600 M
REGISTERED TONNAGE	14,600 M
SPEED SERVICE SPEED	14.6 KTS
CLASS	Det Norske Veritas (DNV)
CLASS NO.	1100
CLASS NO. 2	1100
CLASS NO. 3	1100
CLASS NO. 4	1100
CLASS NO. 5	1100
CLASS NO. 6	1100
CLASS NO. 7	1100
CLASS NO. 8	1100
CLASS NO. 9	1100
CLASS NO. 10	1100
CLASS NO. 11	1100
CLASS NO. 12	1100
CLASS NO. 13	1100
CLASS NO. 14	1100
CLASS NO. 15	1100
CLASS NO. 16	1100
CLASS NO. 17	1100
CLASS NO. 18	1100
CLASS NO. 19	1100
CLASS NO. 20	1100
CLASS NO. 21	1100
CLASS NO. 22	1100
CLASS NO. 23	1100
CLASS NO. 24	1100
CLASS NO. 25	1100
CLASS NO. 26	1100
CLASS NO. 27	1100
CLASS NO. 28	1100
CLASS NO. 29	1100
CLASS NO. 30	1100
CLASS NO. 31	1100
CLASS NO. 32	1100
CLASS NO. 33	1100
CLASS NO. 34	1100
CLASS NO. 35	1100
CLASS NO. 36	1100
CLASS NO. 37	1100
CLASS NO. 38	1100
CLASS NO. 39	1100
CLASS NO. 40	1100
CLASS NO. 41	1100
CLASS NO. 42	1100
CLASS NO. 43	1100
CLASS NO. 44	1100
CLASS NO. 45	1100
CLASS NO. 46	1100
CLASS NO. 47	1100
CLASS NO. 48	1100
CLASS NO. 49	1100
CLASS NO. 50	1100

BB-02

IMO 9516698

PROJECT NO. H-1002

SUBJECT : DWT 34,000 TON CLASS BULK CARRIER

GENERAL ARRANGEMENT

OWNER	ACTON PARTNER LIMITED
DESIGNER	SHINAN HEAVY INDUSTRIES CO., LTD.
BUILDER	SHINAN HEAVY INDUSTRIES CO., LTD.
DATE	2008.09.30.
SCALE	1:200
CLASS	DNV
CLASS NO.	1100
CLASS NO. 2	1100
CLASS NO. 3	1100
CLASS NO. 4	1100
CLASS NO. 5	1100
CLASS NO. 6	1100
CLASS NO. 7	1100
CLASS NO. 8	1100
CLASS NO. 9	1100
CLASS NO. 10	1100
CLASS NO. 11	1100
CLASS NO. 12	1100
CLASS NO. 13	1100
CLASS NO. 14	1100
CLASS NO. 15	1100
CLASS NO. 16	1100
CLASS NO. 17	1100
CLASS NO. 18	1100
CLASS NO. 19	1100
CLASS NO. 20	1100
CLASS NO. 21	1100
CLASS NO. 22	1100
CLASS NO. 23	1100
CLASS NO. 24	1100
CLASS NO. 25	1100
CLASS NO. 26	1100
CLASS NO. 27	1100
CLASS NO. 28	1100
CLASS NO. 29	1100
CLASS NO. 30	1100
CLASS NO. 31	1100
CLASS NO. 32	1100
CLASS NO. 33	1100
CLASS NO. 34	1100
CLASS NO. 35	1100
CLASS NO. 36	1100
CLASS NO. 37	1100
CLASS NO. 38	1100
CLASS NO. 39	1100
CLASS NO. 40	1100
CLASS NO. 41	1100
CLASS NO. 42	1100
CLASS NO. 43	1100
CLASS NO. 44	1100
CLASS NO. 45	1100
CLASS NO. 46	1100
CLASS NO. 47	1100
CLASS NO. 48	1100
CLASS NO. 49	1100
CLASS NO. 50	1100

SHINAN HEAVY INDUSTRIES CO., LTD.